

# AR11

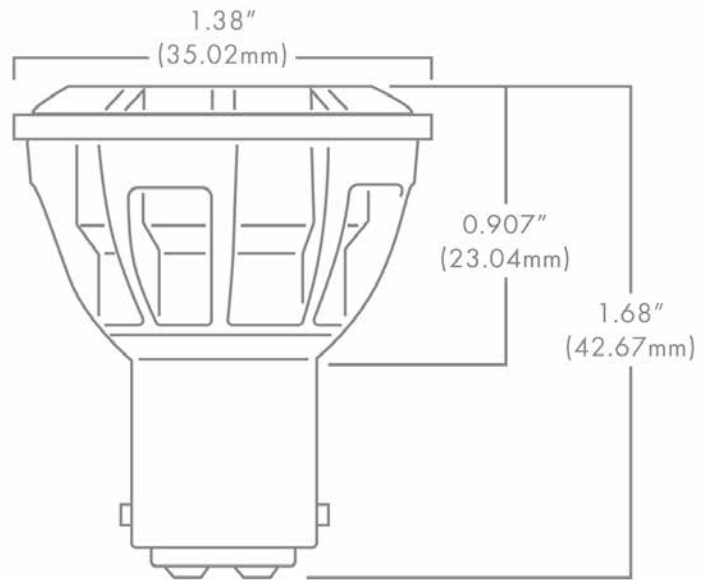


## DESCRIPTION

The Brilliance AR11 Double Contact Bayonet (DCB) is designed to fit into standard low voltage AR11 fixtures and offers a long lamp life. These LEDs are thermally engineered to operate in enclosed fixtures and provide added security by automatically cooling down and reducing lumen output when exposed to extreme heat, such as air temperatures above 125°F. There is no color shift when lumen output is reduced. Dimmable with Brilliance Dimmer and most magnetic transformers.

## AR11 FEATURES

- Earth tone colored housing
- Dimmable with Brilliance Dimmer and most magnetic transformers
- Enhanced ESD (Electro-Static Discharge) protection (IEC-61000-4-2)
- Heat overload protection technology
- Fully potted PC board
- UL Certified E360351



Part Number: **AR11-2-XXXX-XX**

Kelvin      Beam spread

## AR11 SPECS

Wattage	<b>2</b>	
Lumens	<b>2700K</b>	<b>3000K</b>
2W	120	138
Beam Spread	<b>30°, 60°</b>	
Kelvin Temperature	<b>2700, 3000</b>	
Color	<b>Amber (30° only)</b>	
Operating Range	<b>8-25 VAC/DC</b>	
Replaces	<b>20W Halogen</b>	
CRI	<b>85</b>	
IP	<b>61</b>	
Lamp Life (hours)	<b>50,000</b>	
Warranty (years)	<b>5</b>	

